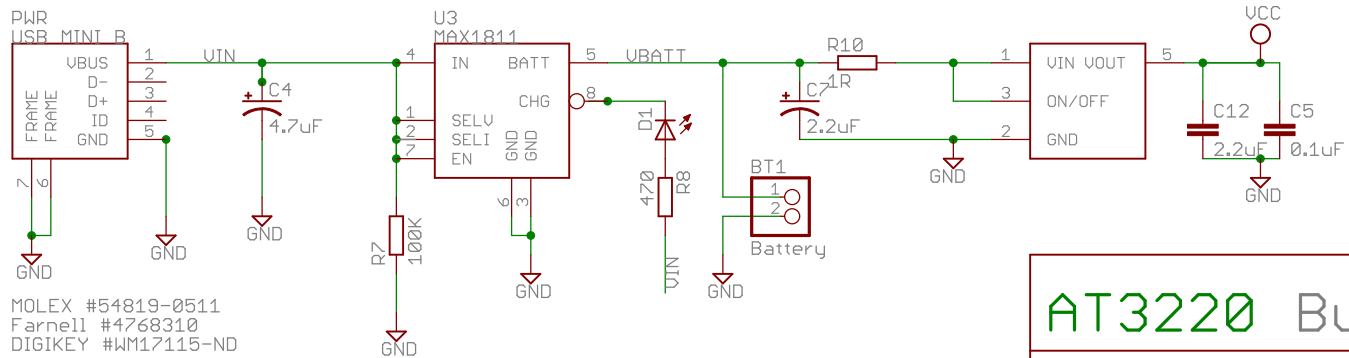
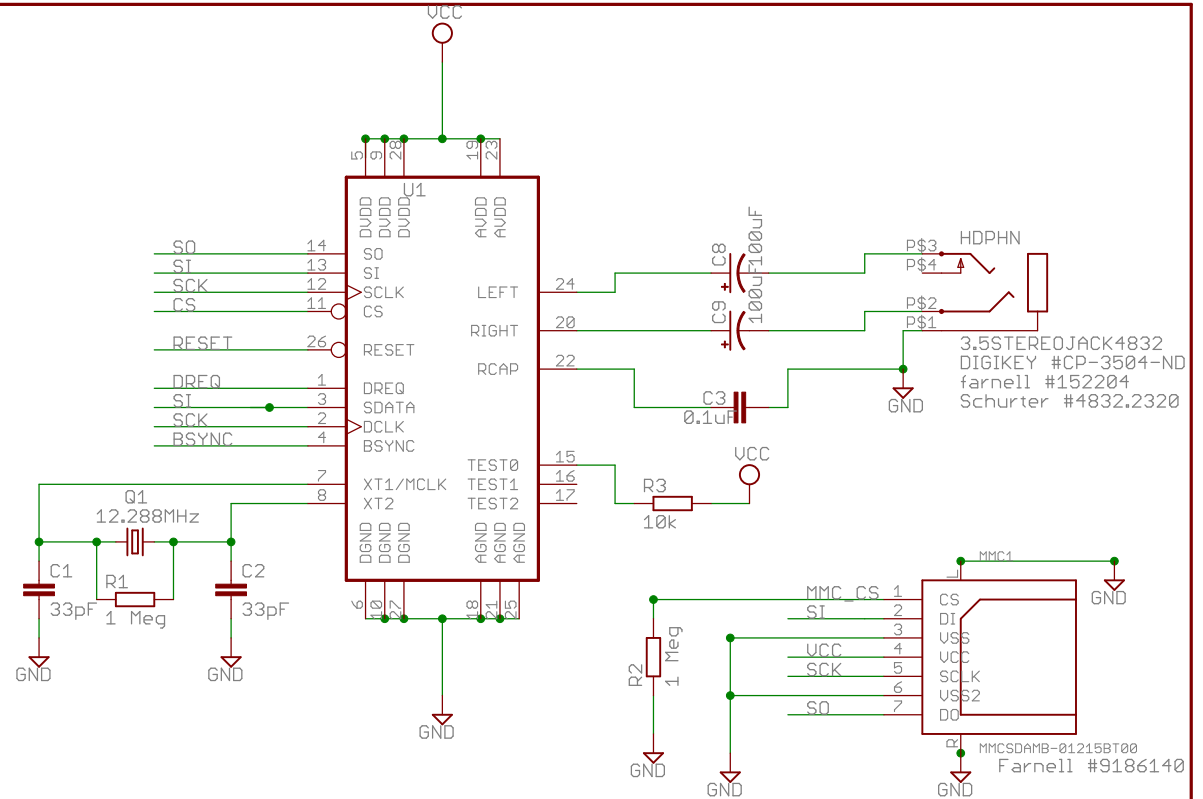
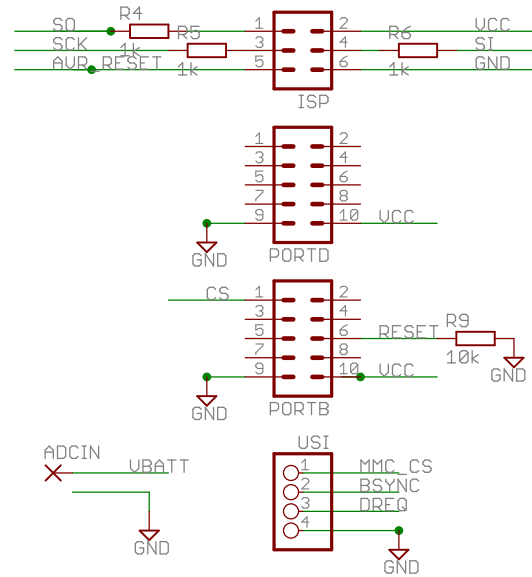


AVR Butterfly



MOLEX #54819-0511
Farnell #4768310
DIGIKEY #WM17115-ND

AT3220 ButterflyMP3

TITLE: butterflymp3

Document Number: _____

REV: F

Date: 28/12/2007 7:13PM

Sheet: 1/1

NOTE: UBATT is wired by hand to ADCin for battery voltage monitoring, and so is not shown on the PCB